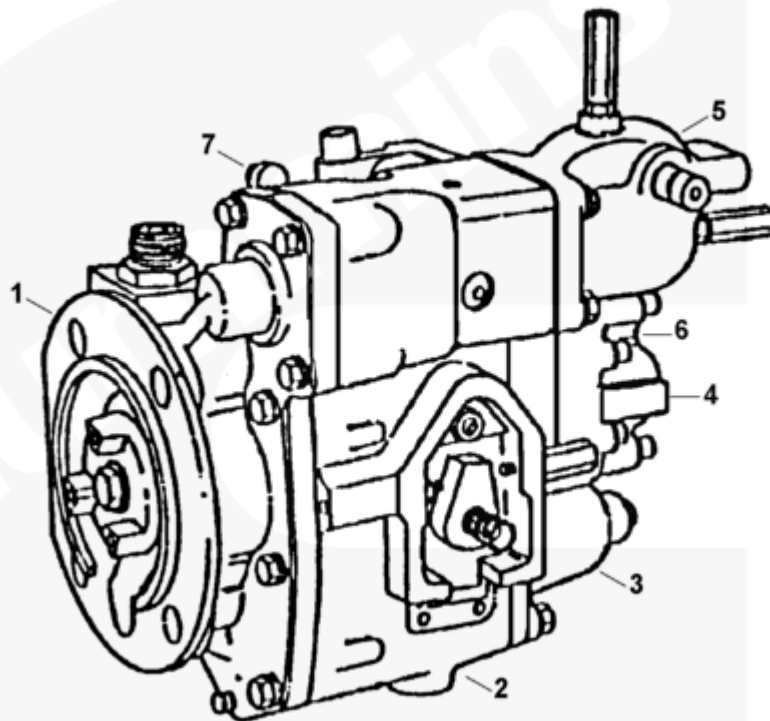




## Parts Catalog - Option Detail

Electronic Parts Catalog - Option Detail				
Option	Group	Graphic	Film Card	Date
FP12468-01	05.01	fp101gh	FF	26-APR-96
<b>Engines</b>	G855, G855 CM558, GTA855 CM558 (CM2358) G101, N14 CELECT, N14 CELECT PLUS, N14 MECHANICAL, NH/NT 855, QSM11 CM876 M101, QSM11 CM876 M102M, QSN14 CM876 N103, QSN14 CM876 N105, QSNT14 CM876 N102			

©Cummins Inc



**fp101gh**

[SMALL](#) | [MEDIUM](#) | [LARGE](#)

Cart	Ref No	Part Number	Part Description	Required	Remarks
<a href="#">View My Cart</a>					
		<a href="#">FP12468-01</a>	Fuel Pump		<a href="#">PTG/VS/Dual Spring AFC. EDM...(More)</a>
					barrel and plunger. 3/4 inch
					gear pump. Clockwise
					tachometer. To suit direct
					mounted fuel filter.
<input type="checkbox"/>		<a href="#">3095556</a>	Fuel Pump	1	

<input type="checkbox"/>	1	<a href="#">3030274</a>	Fuel , Pump Front Cover ( Variable Speed )	1	Reference group 05.01.2
<input type="checkbox"/>	2	<a href="#">3069255</a>	Fuel Pump Housing	1	Reference group 05.01.1
<input type="checkbox"/>	3	<a href="#">3065376</a>	Spring Pack Cover	1	Reference group 05.01.7
<input type="checkbox"/>	4	<a href="#">3034243</a>	Gear Fuel Pump	1	Reference group 05.01.4
<input type="checkbox"/>	5	<a href="#">3020523</a>	Cover And Bushing Assembly Variable Speed Governor	1	Reference group 05.01.7
<input type="checkbox"/>	6	<a href="#">3026198</a>	Fuel Filter And Damper	1	Reference group 05.01.3
	7	<a href="#">3070751</a>	Assembly , Afc	1	Reference group 05.01.5

© 2019 Cummins Inc., Box 3005, Columbus, IN 47202-3005 U.S.A.  
Terms of Use and Disclaimers | Recommended System Requirements  
Need Assistance? Please click on the Contact Us button in the top right corner of any page.